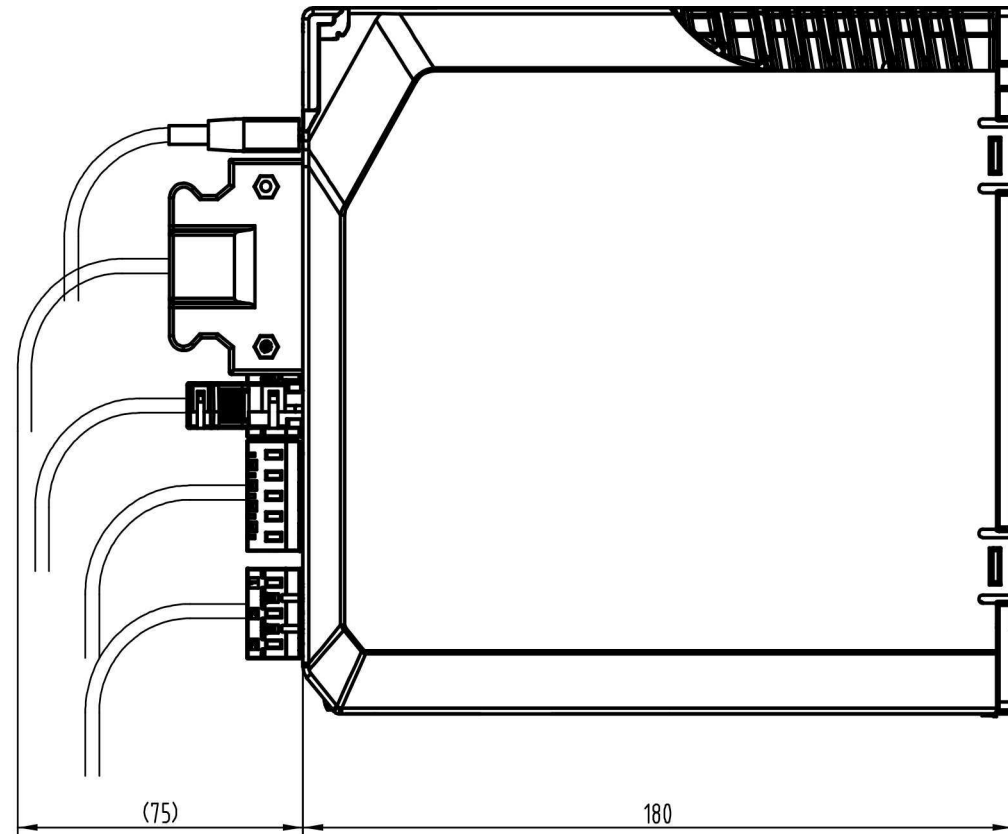


REV	CHG.	DATE	DESCRIPTION	REVISION



SOURCE DRAWING-FOR REFERENCE ONLY

APPROVED BY		DATE	
CHECKED BY		DATE	
DRAWING BY	Doron	DATE	07.05.2024



TOLERANCE UNLESS OTHERWISE SPECIFIED	CABLE LENGTH	TOLERANCE
	ALL LENGTHS	+4%(OR 50mm) OF LENGTH -0%(OR 0mm) OF LENGTH WHICHEVER IS GREATER
	STRIP LENGTH	TOLERANCE
	0-7mm	±1.0mm
	8-29mm	±1.5mm
	30-49mm	±2.0mm
50-99mm	±3.0mm	
70-100mm	±4.0mm	
over 100mm	±5.0mm	

UNITS mm

1st Angle Projection



DESCRIPTION: **CanOPEN**
 UMD-0015CU-B5
 UMD-0020C-B5

PART NO.

REV	A	SHEET	1 OF 1
-----	---	-------	--------